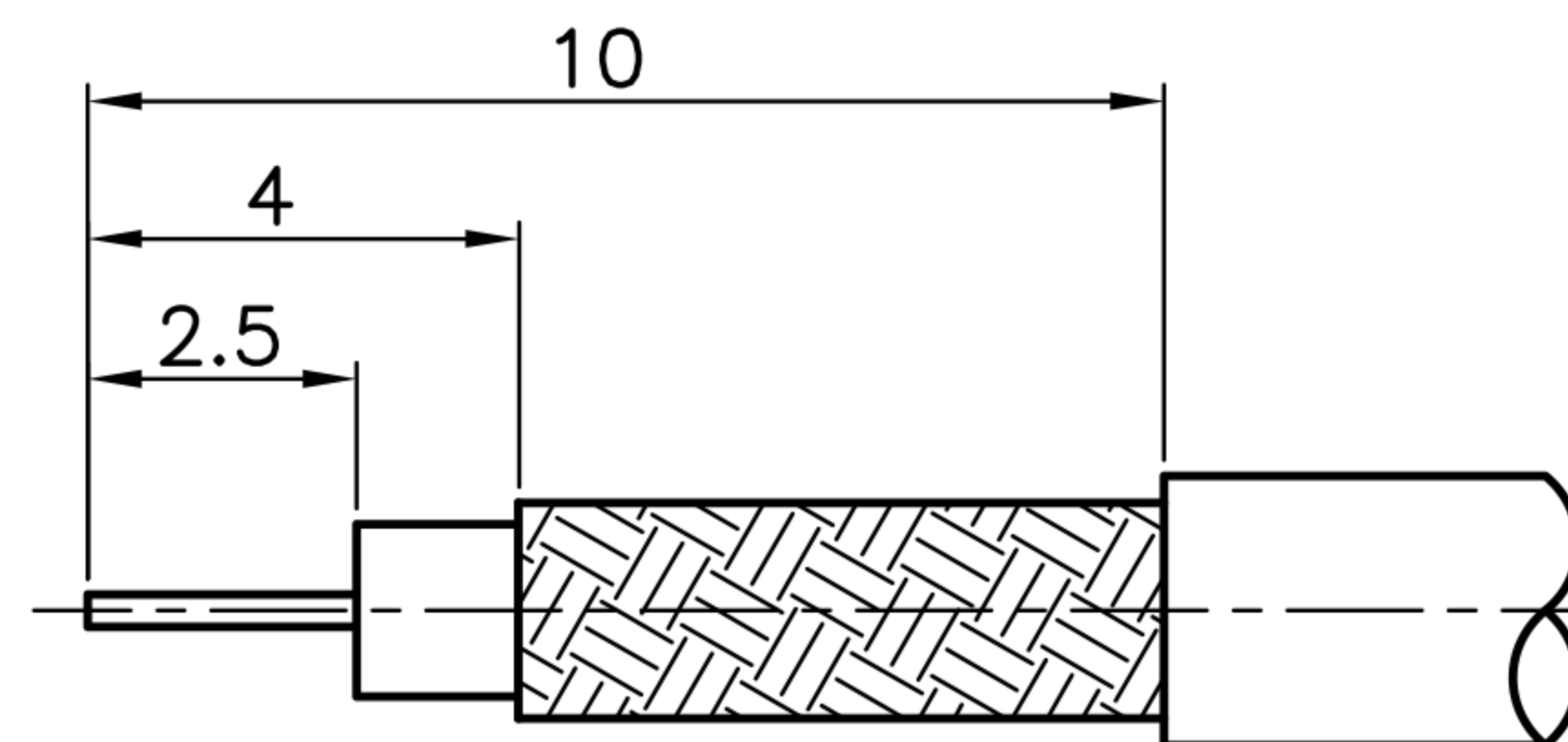
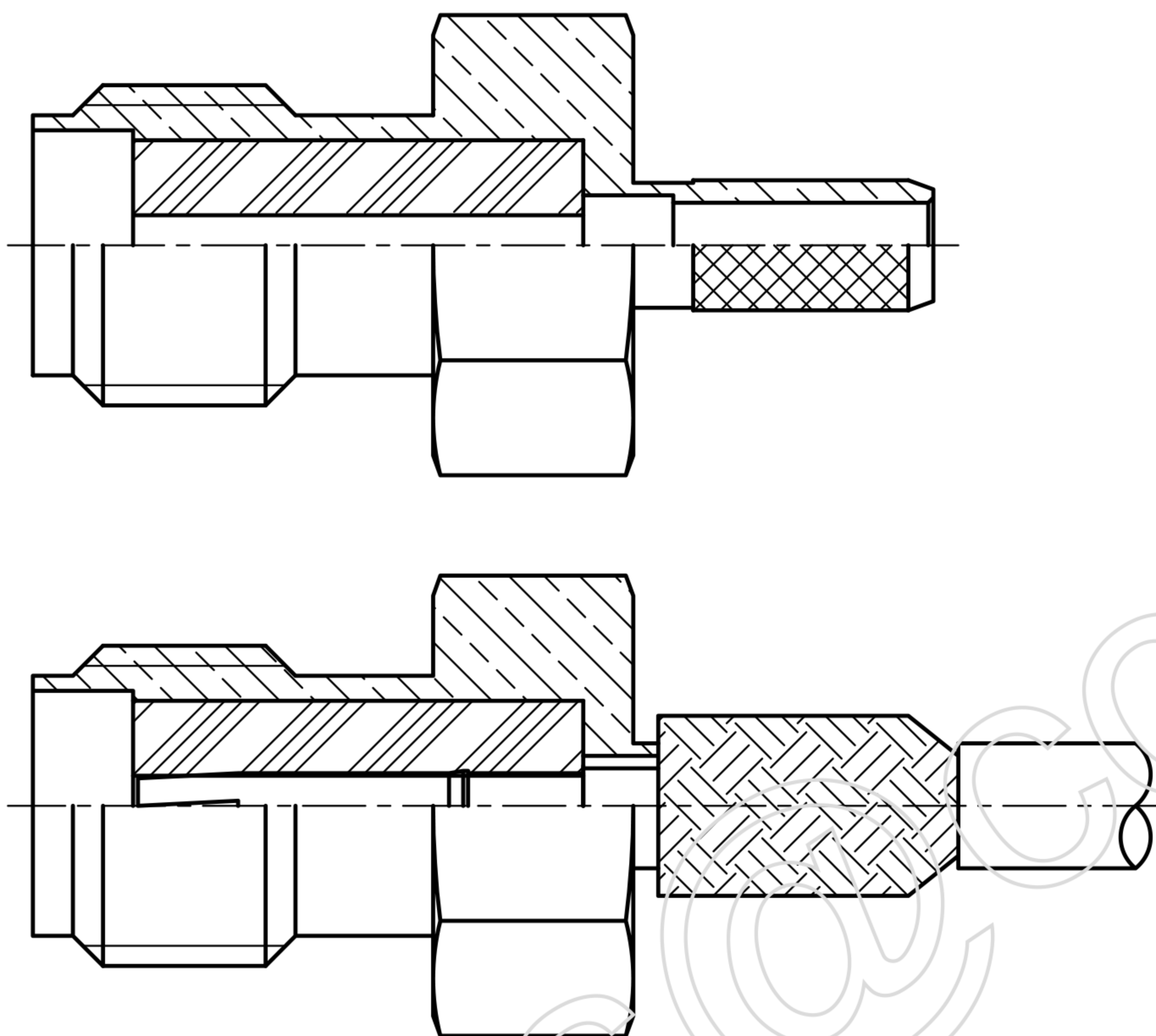
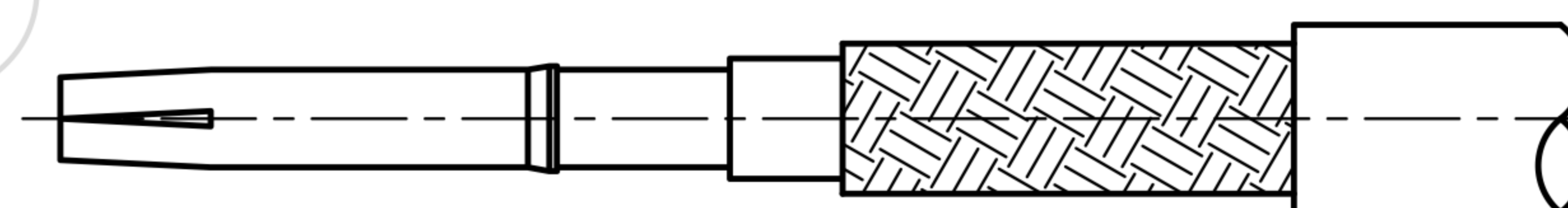
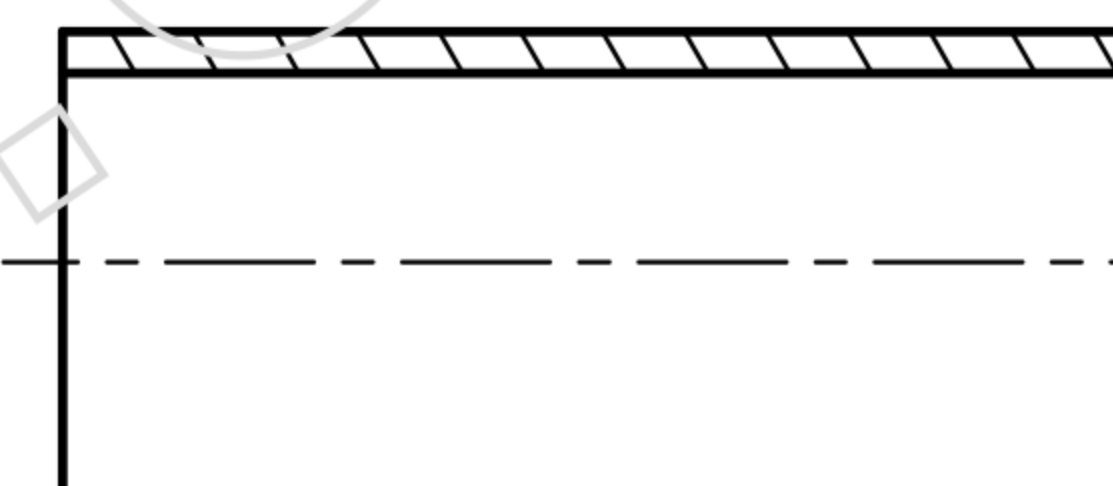
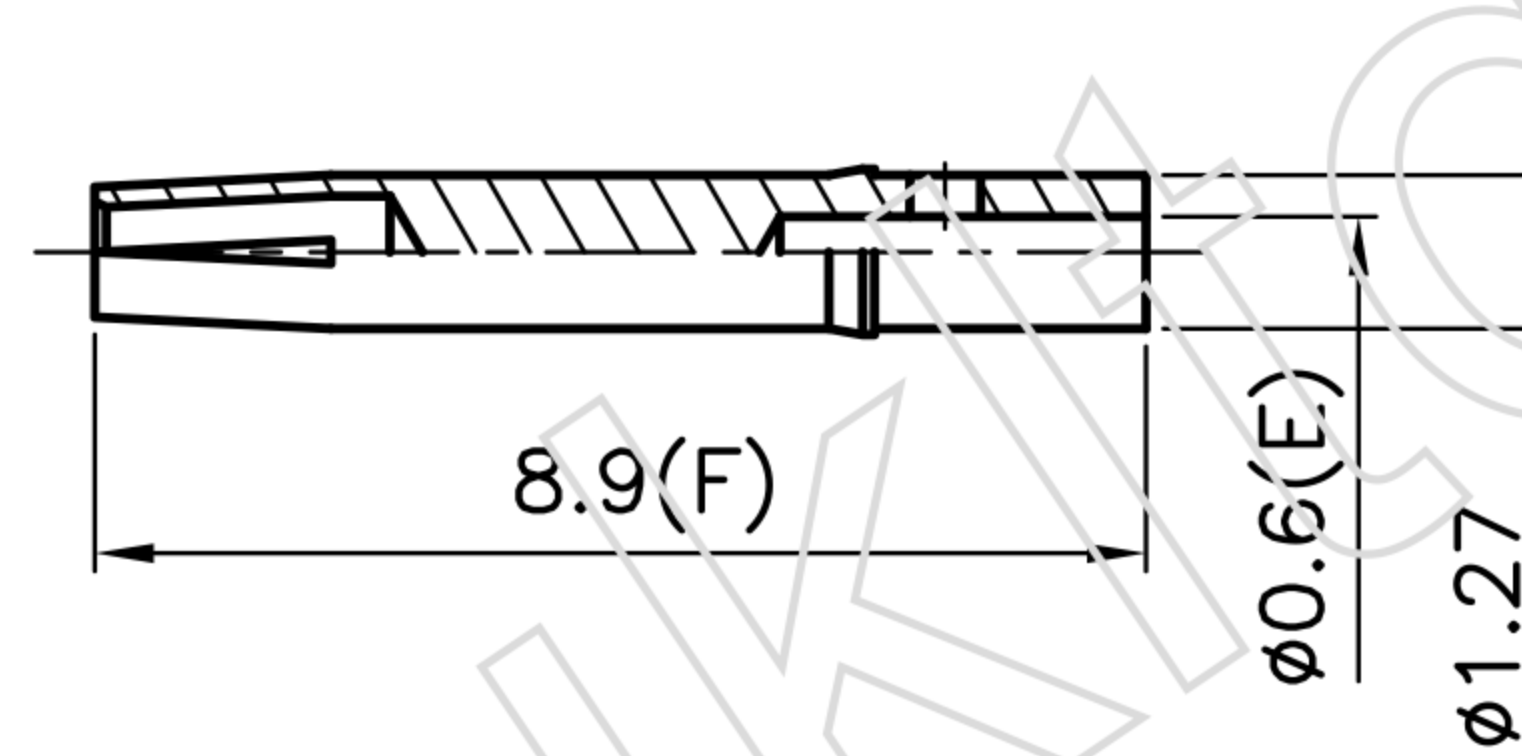


REVISIONS	
ISS	DESCRIPTION \ DATE

RoHS COMPLIANT



RECOMMENDED
CABLE STRIPPING DIM'S



1. CRIMPED FERRULE
HEX CRIMP SIZE .128"
2. CONTACT PIN TO SOLDER

CONNECTORS CABLES
ACS
SPECIALISTS LTD.

TITLE: SMA CRIMP JACK
(FOR LMR100 CABLE)

PART NO: SMAJCR100

DRAWING NO:

APRD:	UNLESS OTHERWISE SPECIFIED TOLERANCES 0.5-6 = ±0.2 >6-30 = ±0.4 >30-120 = ±0.6 >120-315 = ±1 >315-1000 = ±1.6 ANGLES = ±5°				
CHKD:					
DR:					
DATE: 05/07/10"	UNIT: mm	FERRULE	BRASS	GOLD	KA/2005/10527 \ KA/2005/30993
SHEET: .	SCALE: 5/1	CONTACT PIN	P.B.	GOLD	KA/2005/10526 \ KA/2005/30993
		INSULATOR	TEFLON	WHITE	KA/2005/50918
		BODY	BRASS	GOLD	KA/2005/10527 \ KA/2005/30993
		NO. DESCRIPTION	MATERIAL	FINISH	SGS REPORT NO